



## SQUARE - SINGLE LEVER BASIN MIXER

WATER EFFICIENT TAPWARE  
NOMINAL FLOW RATE 9L/min  
CT202A(AS)

### Safety Information

These safety instructions are important, please read and follow them carefully. In the Installation Instructions the following symbols are shown for the safe and proper use and care of the product.

 <b>Do not</b>	Do not interchange the hot and cold water supply hoses
	Avoid impacts to the tap and body Damage may result in scald injuries and property damage may occur
	Do not disassemble the plastic case of the ceramic cartridge, it cannot be serviced
	Do not use harsh (acid/alkaline) chemical cleaners Do not use abrasive powder polishes or steel wool
 <b>Mandatory</b>	Flush the hot and cold water supply pipes before connection. Ensure that all debris and impurities are cleared before connection to the tap hoses.
	To avoid the potential for scalding ensure the tap lever is in the cold position before turning on
	Use for tap water only

COTTO

## Pressure & Temperature Requirements

- \* Hot and cold water inlet pressures should be equal.
- \* Inlet pressure range: 50-750 kPa.  
(Ref. AS/NZS 3500.1-2003, Clause 3.3.4, New Regulation:-500 kPa maximum static pressure at any outlet within a building.)
- \* Maximum hot water temperature : 80°C.

## Bench Requirement

- \* Bench thickness: 25 mm. maximum
- \* Tap body hole (in deck) : 32-36 mm.

## Cartridge Replacement

- 1) Turn off hot and cold water supplies.
- 2) Carefully remove index(4) before using an allen key to loosen grub screw(2) and remove handle(1). Unscrew cap(5) taking care not to damage the decorative finish. Unscrew nut(6) then lift out old cartridge (7).
- 3) Remove screw(3) and take off bush(21) with 2 washers(19,20). Assemble bush(21) and 2 washers(19,20) with new cartridge(7) by tighten screw(3).
- 4) Ensure inside face of mixer body(8) is clean. Fit new cartridge(7) into mixer body(8), taking care that two lugs on base of cartridge(7) fit into mating holes in mixer body(8).
- 5) Screw on nut (6) and cap (5) respectively.
- 6) Fit handle(1) taking care that it is pushed fully down, then tighten grub screw (2). Replace index (4) taking care not to damage the decorative finish.
- 7) Turn on water supplies and check operation.

## Care and Maintenance

1. Do not use harsh toilet cleaners for cleaning.
2. Do not use hard brush or steel wool. Soft cloth is recommended for cleaning to prevent scratch marks.
3. Special metal/chromium cleaning cream is recommended.
4. When tools are required to grip. Use a thick cloth to prevent scratch marks.

## Troubleshooting

Problem	Solution
Mixer will not shut off	Disassemble lever handle and replace
Cartridge damaged	Replace cartridge (see above)
Lever handle loose	Tighten grub screw

COTTO

## SQUARE - SINGLE LEVER BASIN MIXER

WATER EFFICIENT TAPWARE  
NOMINAL FLOW RATE 9L/min  
CT202A(AS)

### PLUMBERS INSTALLATION INSTRUCTIONS

#### Important Information

- \* Not suitable for gravity feed systems.
- \* Mixer is fitted with 2PCW flow regulators(4.0 L/min.) This low flow rate may not be suitable for connection to some instantaneous Gas water Heaters, some tempering valves, some Solar Water Heaters & some Thermostatic Mixing Valves. Check with the manufacturers of these products.
- \* Isolating stop taps must be fitted to the hot & cold water supply connections.
- \* All pipework must be thoroughly flushed prior to installation, as foreign materials may block the flow regulating device and reduce the flow of water.

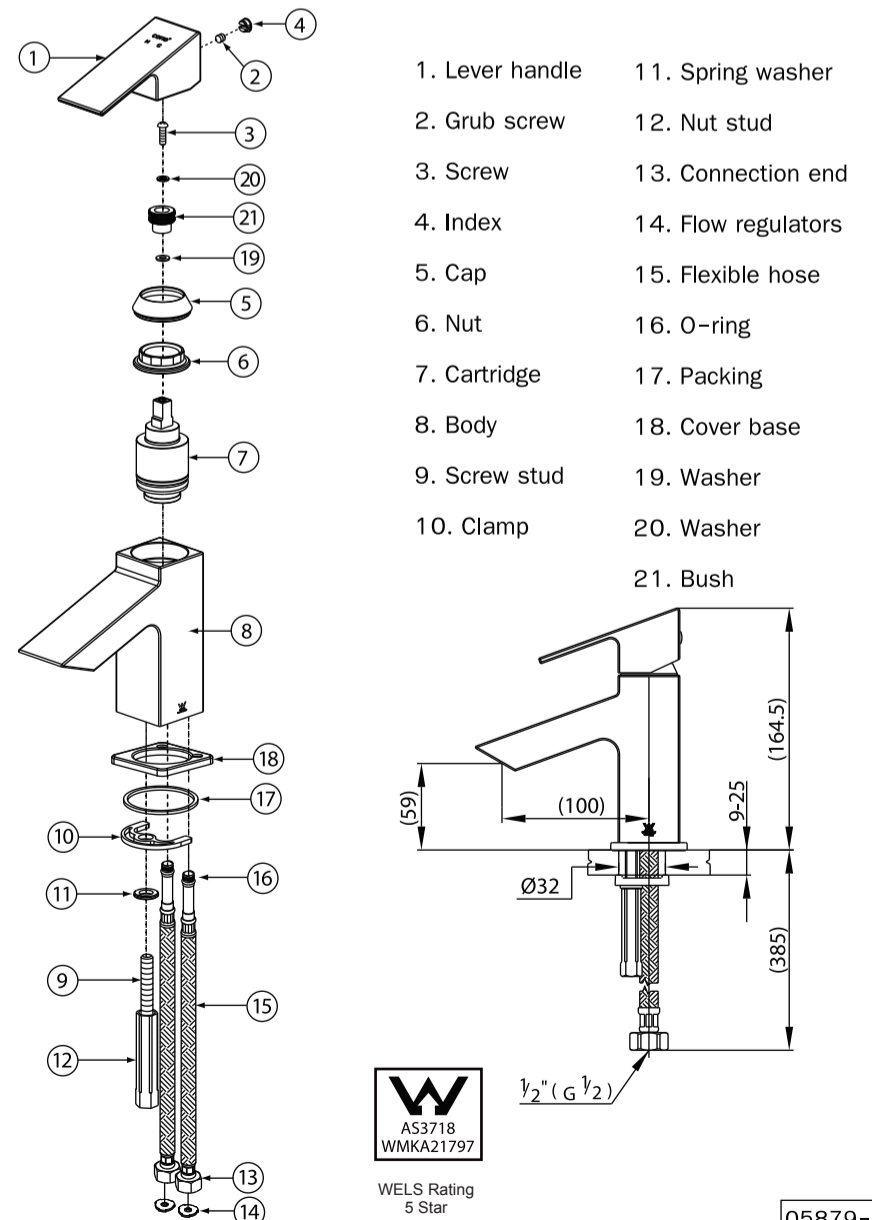
#### Installation

- 1) Place mixer in tap hole, fit clamp(10) and spring washer(11) over screw stud(9) then screw on nut stud(12). Position mixer as required then tighten fixing nut stud(12).
- 2) Apply silicone lubricant to O-rings(16). Fit flexible hose(15) (With red indication) into left hole in underside of mixer body (8). Hand tighten the hose, ensuring the O-ring(16) has fully entered the sealing bore to provide a watertight joint. Fit other flexible hose (With blue indication) into remaining hole in a similar manner.
- 3) Connect the inlet connection end(13) of each flexible hose(15) to the hot and cold isolating stop taps, hand tighten a further one turn to provide a watertight joint. Make sure that flow regulators(14) in both connection end(13) are in proper condition.

**Important:** Flexible tails must not be kinked, twisted or in tension when installed. (Minimum Bend Radius:- 50 mm.) Do not install flexible hose where subject to ultra violet light.

COTTO

## COMPONENT DIAGRAM



05879-1

COTTO